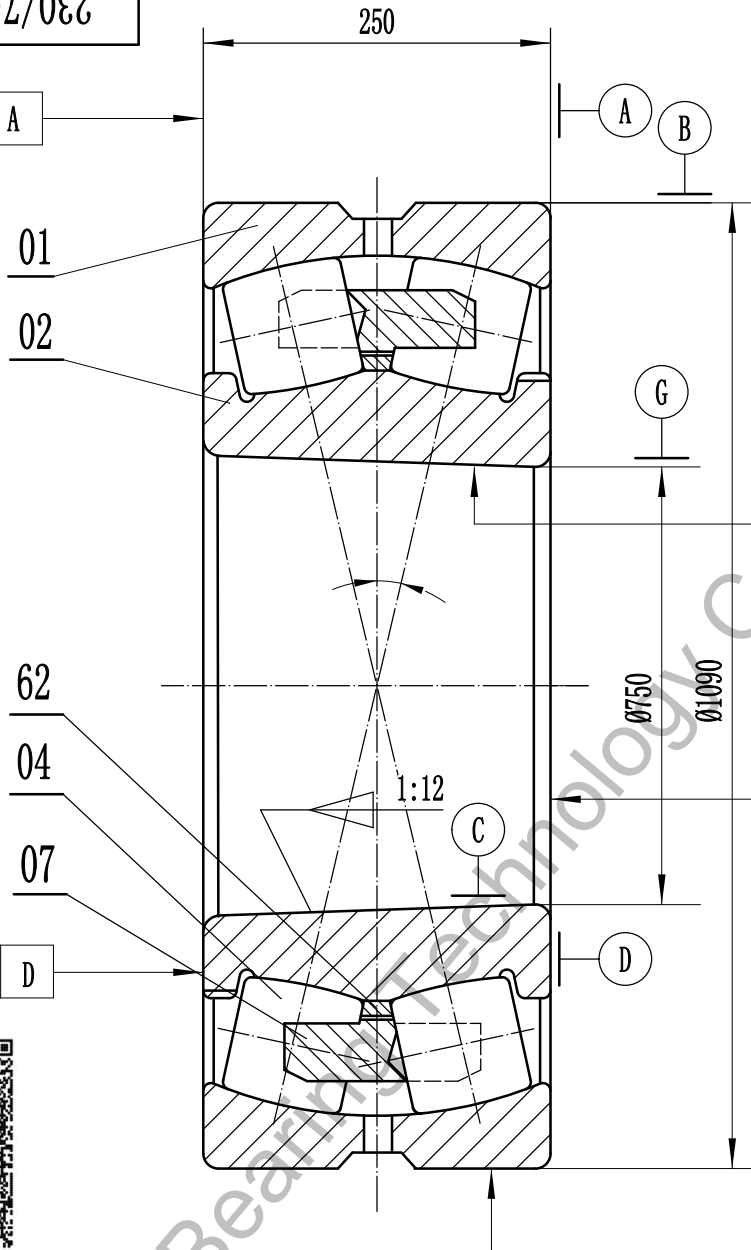




V_{Cs} A



V_{dsp}
V_{dmp}
K_{ia} B

S_d G

V_{Bs} D

V_{Dsp}
V_{Dmp}
K_{ea} C
S_D A

- 1、Tolerance of running accuracy are according to relevant state standard;
- 2、The value of the basic group of radial clearance:min **** max ****;
- 3、Rated load: Cr= **** kN Cor= **** kN.

62	Guide ring		Steel 20—GB/T699			
07	Cage		Brass CuZn39Pb2-EN 1652:1997			
04	Roller		Steel 100CrMnSi6-4—ISO 683-17:1999			
02	Inner ring		Steel 100CrMnSi6-4—ISO 683-17:1999			
01	Outer ring		Steel 100CrMnSi6-4—ISO 683-17:1999			
No.	Designation	Qty	Material	unit	toatl	Remark
				Weight (kg)		
Luoyang JCB Bearing Technology Co., Ltd Contact information Company Address : No. 285, Fenghua road, Luoyang, Henan, China. Postal code : 471000 Phone :86-379-68611678 Fax : 86-379-68611679 E-mail: sales@jcb-bearing.com Reserved E-mail: sales@sphericalrollerbearing.net Website: www.jcb-bearing.com www.sphericalrollerbearing.net			<h2>Spherical Roller Bearing</h2>		<h2>230/750 CAK/W33</h2>	
				Weight (kg)		Scale
				S		
				Total page 5		Page No. 1
Luoyang JCB Bearing Technology Co., Ltd						